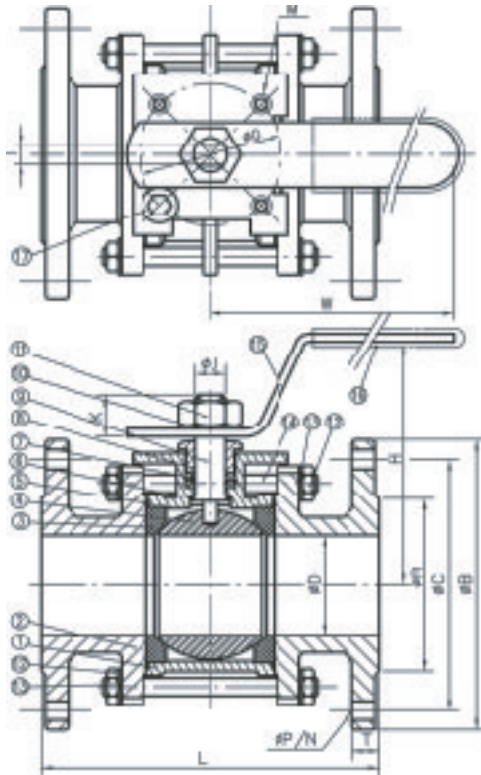
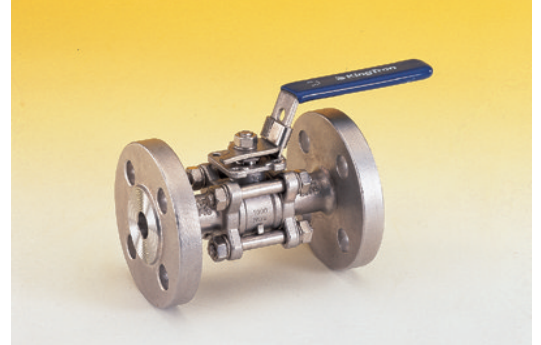


3-PIECE FULL PORT FLANGED BALL VALVES

FIG. S-339F / C-339F: PN40 FLANGED ENDS, ISO 5211 MOUNTING PAD.

FEATURES:

- Three-piece design with flanged ends for fast installation, in-line maintenance and rebuilding.
- Adjustable packing gland. Bottom-loaded blow-out proof stem.
- Investment cast body & cap.
- Basic design complied with ANSI B 16.34, DIN 3339, DIN 3357-1, DIN 3357-2, & EN 12516-1.
- Flanged ends complied with DIN 2501-1 & DIN 2545 PN 40.
- Face-to-face dimensions complied with DIN 3202-1.
- Tested according to DIN 3357-1, DIN 3230-3 (strength & leakage test), & API 598.
- Low operating torque to reduce automation costs.
- Mounting pad complied with ISO 5211 for ease and interchangeability of actuation.



MATERIALS LIST:

NO.	PARTS	S-339F	C-339F
1	BODY	DIN 17445 1.4408/CF8M	DIN 17245 1.0619/WCB
2	END CAP	DIN 17445 1.4408/CF8M	DIN 17245 1.0619/WCB
3	SEAT	PTFE	PTFE
4	BALL	DIN 17445 1.4408/CF8M	DIN 17445 1.4308/CF8
5	GASKET	PTFE	PTFE
6	THRUST WASHER	PTFE	PTFE
7	STEM PACKING	PTFE	PTFE
8	GLAND	DIN 17440 1.4301/AISI 304	DIN 17440 1.4301/AISI 304
9	STEM	DIN 17440 1.4401/AISI 316	DIN 17440 1.4301/AISI 304
10	HANDLE WASHER	DIN 17440 1.4301/AISI 304	DIN 17440 1.4301/AISI 304
11	HANDLE NUT	DIN 17440 1.4301/AISI 304	DIN 17440 1.4301/AISI 304
12	BOLT NUT	DIN 17440 1.4301/GR.8	CARBON STEEL / GR. 2H
13	BOLT WASHER	DIN 17440 1.4301/AISI 304	CARBON STEEL
14	BOLT	DIN 17440 1.4301/GR. B8	CARBON STEEL / GR. B7
15	HANDLE	AISI 304	ZINC PLATED STEEL
16	HANDLE COVER	PVC	PVC
17	STOP SCREW	DIN 17440 1.4301/AISI 304	DIN 17440 1.4301/AISI 304

OPTIONS:

- L: LOCKING DEVICE.
- V: VENTED BALL.
- P: EQUIPPED WITH PNEUMATIC ACTUATOR.

DIMENSIONS OF MOUNTING PAD

SIZE		I		φJ		K		φG		M
in	mm	in	mm	in	mm	in	mm	mm	mm	mm
1/2"	15	0.20	5	0.31	8	0.47	12	1.42	36	M5
3/4"	20	0.24	6	0.39	10	0.54	13.7	1.42	36	M5
1"	25	0.31	8	0.47	12	0.70	17.7	1.65	42	M5
1 1/4"	32	0.31	8	0.47	12	0.70	17.7	1.65	42	M5
1 1/2"	40	0.31	8	0.55	14	0.71	18	1.97	50	M6
2"	50	0.31	8	0.55	14	0.71	18	1.97	50	M6
2 1/2"	65	0.47	12	0.79	20	1.14	29	2.76	70	M8
3"	80	0.47	12	0.79	20	1.14	29	2.76	70	M8
4"	100	0.47	12	0.79	20	1.14	29	2.76	70	M8

DIMENSIONS

SIZE		φD		L		T		φR		φC		φB		φP		N	H		W	
in	mm	in	mm	in	mm	in	mm	in	mm	in	mm	in	mm	in	mm		in	mm	in	mm
1/2"	15	0.59	15	5.12	130	0.63	16	1.77	45	2.56	65	3.74	95	0.55	14	4	3.03	77	5.43	138
3/4"	20	0.79	20	5.91	150	0.71	18	2.28	58	2.95	75	4.13	105	0.55	14	4	3.19	81	5.43	138
1"	25	1.00	25.4	6.30	160	0.71	18	2.68	68	3.35	85	4.53	115	0.55	14	4	3.50	89	6.77	172
1 1/4"	32	1.26	32	7.09	180	0.71	18	3.07	78	3.94	100	5.51	140	0.71	18	4	3.70	94	6.77	172
1 1/2"	40	1.50	38	7.87	200	0.71	18	3.46	88	4.33	110	5.91	150	0.71	18	4	5.00	127	9.17	233
2"	50	1.97	50	9.06	230	0.79	20	4.02	102	4.92	125	6.50	165	0.71	18	4	5.31	135	9.17	233
2 1/2"	65	2.56	65	11.42	290	0.87	22	4.80	122	5.71	145	7.28	185	0.71	18	8	6.38	162	11.10	282
3"	80	3.15	80	12.20	310	0.94	24	5.43	138	6.30	160	7.87	200	0.71	18	8	6.73	171	11.10	282
4"	100	3.94	100	13.78	350	0.94	24	6.38	162	7.48	190	9.25	235	0.87	22	8	7.80	198	11.61	295