

3-PIECE FULL PORT BALL VALVES

FIG. S-362T-F/ C-362T-F: THREADED ENDS, 2000PSI (138 BAR) W.O.G., ENCLOSED BOLT TYPE, API 607 FIRE-SAFE DESIGNED, ISO 5211 MOUNTING PAD.

FEATURES:

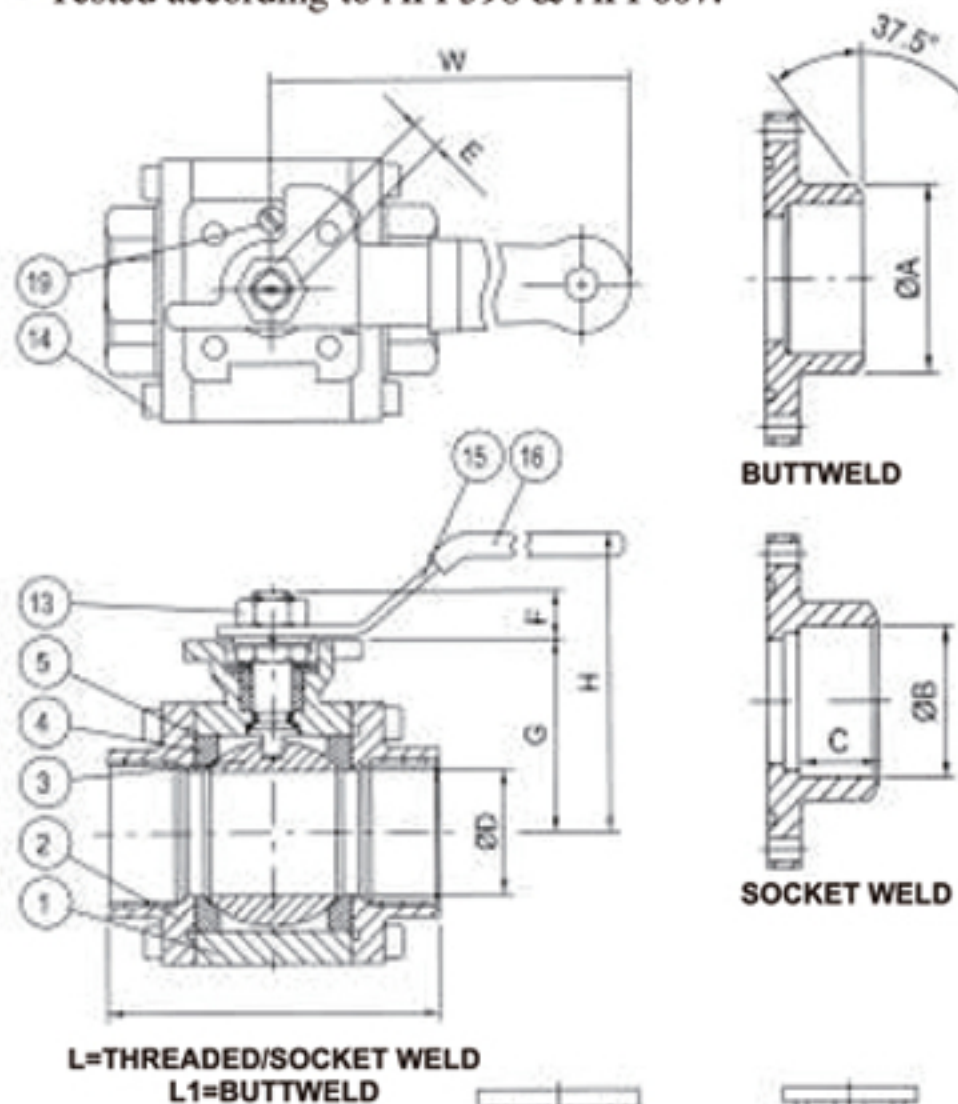
- Strengthened construction and enclosed bolt design secure 2000 psi working pressure rating.
- Live-loaded packing gland design for self-adjustment of packing compression.
- Mounting pad complied with ISO 5211 for ease and interchangeability of actuation.
- Basic design complied with ANSI B16.34 & EN 12516-1.
- NPT threaded ends complied with ANSI B 1.20.1.
- Rc, Rp & G Threaded ends complied with BS 21/2779, JIS B-0203/0202, DIN 259/2999, ISO 228-1, AS1772.1/1722.2 are upon request.
- Socket weld ends complied with ANSI B 16.11 & EN12760, butt weld ends complied with ANSI B 16.25 & EN12627 are upon request.
- Graphite gasket & stem packing prevent post-fire external leakage.
- Post-fire metal-to-metal seal prevents internal leakage after fire.
- Tested according to API 598 & API 607.

MATERIALS LIST:

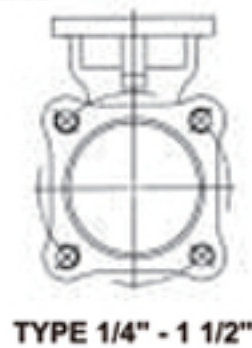
NO.	PARTS	S-362T/S/B-F	C-362T/S/B-F
1	BODY	ASTM A351 CF8M	ASTM A216 WCB
2	END CAP	ASTM A351 CF8M	ASTM A216 WCB
3	BALL	ASTM A351 CF8M/316	ASTM A351 CF8/304
4	SEAT	TFM 1600	TFM 1600
5	GASKET	GRAPHITE	GRAPHITE
6	THRUST WASHER	PTFE	PTFE
7	STEM PACKING	GRAPHITE	GRAPHITE
8	GLAND	AISI 304	AISI 304
9	BELLEVILLE WASHER	AISI 301	AISI 301
10	STEM	ASTM A276-316	ASTM A276-304
11	PACKING NUT	AISI 304	AISI 304
12	SPRING WASHER	AISI 304	AISI 304
13	HANDLE NUT	AISI 304	AISI 304
14	BOLT	AISI 304/GR.B8	CARBON STEEL/GR.B7
15	HANDLE	AISI 304	ZINC PLATED STEEL
16	HANDLE COVER	PVC	PVC
17	LOCK SADDLE	AISI 304	AISI 304
18	O-RING	VITON	VITON
19	STOP SCREW	AISI 304	CARBON STEEL
20	ANTI-STATIC DEVICE	AISI 304	AISI 304

OPTIONS:

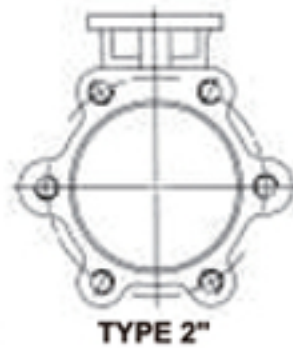
- L: LOCKING DEVICE -V: VENTED BALL
- P: EQUIPPED WITH PNEUMATIC ACTUATOR.



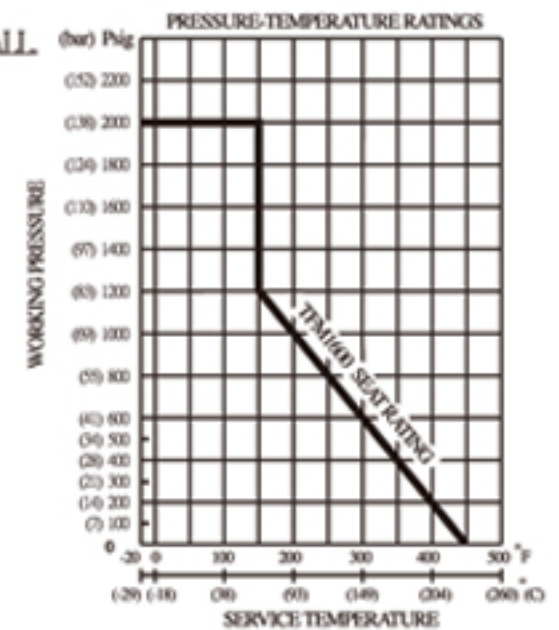
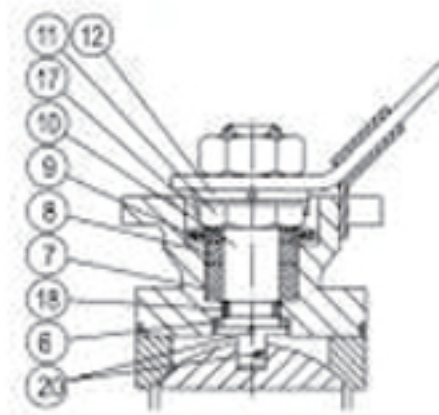
L=THREADED/SOCKET WELD
L1=BUTTWELD



TYPE 1/4" - 1 1/2"



TYPE 2"



DIMENSIONS

SIZE	Ø D	L	L1	E	F	G	H	W	Ø A	Ø B	C	ISO 5211 (F)												
1/4"	8	0.43	11.0	2.55	65.0	2.75	70.0	0.35	9.0	0.31	8.0	1.47	37.5	2.75	70.0	5.51	140.0	0.54	13.8	0.56	14.2	0.39	10.0	F04
3/8"	10	0.43	11.0	2.55	65.0	2.75	70.0	0.35	9.0	0.31	8.0	1.47	37.5	2.75	70.0	5.51	140.0	0.68	17.3	0.69	17.6	0.39	10.0	F04
1/2"	15	0.55	14.0	2.95	75.0	2.95	75.0	0.35	9.0	0.31	8.0	1.47	37.5	2.75	70.0	5.51	140.0	0.85	21.7	0.86	21.8	0.51	13.0	F04
3/4"	20	0.80	20.5	3.14	80.0	3.54	90.0	0.43	11.0	0.43	11.0	2.05	52.0	3.54	90.0	7.08	180.0	1.07	27.2	1.07	27.2	0.59	15.0	F04-F05
1"	25	0.98	25.0	3.54	90.0	3.93	100.0	0.43	11.0	0.43	11.0	2.36	60.0	3.93	100.0	7.08	180.0	1.34	34.0	1.33	33.9	0.59	15.0	F04-F05
1 1/4"	32	1.24	31.5	4.33	110.0	4.33	110.0	0.55	14.0	0.67	17.0	2.83	72.0	4.40	112.0	8.46	215.0	1.68	42.7	1.68	42.7	0.59	15.0	F07
1 1/2"	40	1.45	37.0	4.72	120.0	4.92	125.0	0.55	14.0	0.67	17.0	2.99	76.0	4.52	115.0	8.46	215.0	1.91	48.6	1.92	48.8	0.63	16.0	F07
2"	50	1.96	50.0	5.51	140.0	5.90	150.0	0.55	14.0	0.67	17.0	3.66	93.0	5.23	133.0	8.46	215.0	2.38	60.5	2.41	61.2	0.67	17.0	F07

We reserve the rights to modify our product design or construction for improvement without prior notice.