

## 3-PIECE FULL PORT BALL VALVES

**FIG. S-331T/C-331T: THREADED ENDS, 1000 PSI (69 BAR) W.O.G., ISO 5211 MOUNTING PAD.**

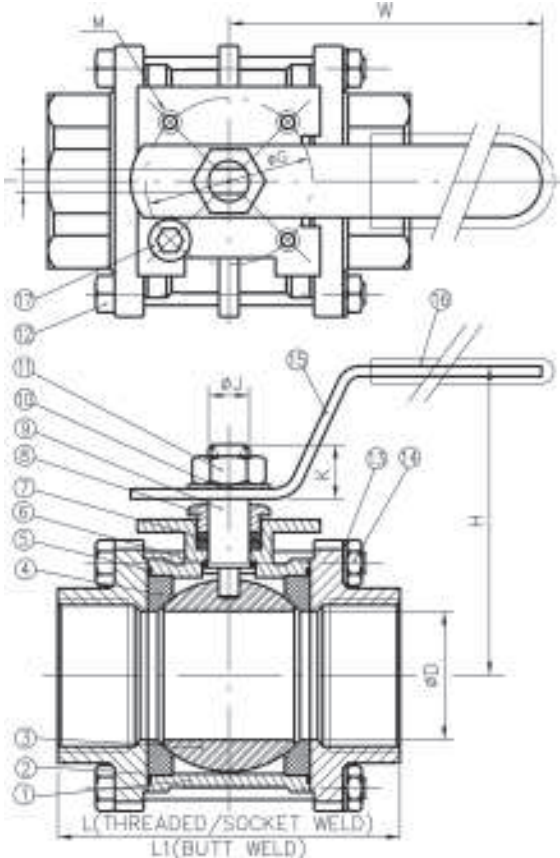
### FEATURES:

- Three-piece design for fast, economical in-line maintenance.
- Adjustable packing gland. Bottom-loaded blow-out proof stem.
- Mounting pad complied with ISO 5211 for ease and interchangeability of actuation. Low operating torque to reduce automation costs. .
- Basic design complied with ANSI B16.34 & EN 12516-1.
- NPT threaded ends complied with ANSI B 1.20.1.
- Rc, Rp & G Threaded ends complied with BS 21/2779, JIS B-0203/0202, DIN 259/2999, ISO 228-1, AS1722.1/1722.2 are upon request.
- Tested according to API 598.



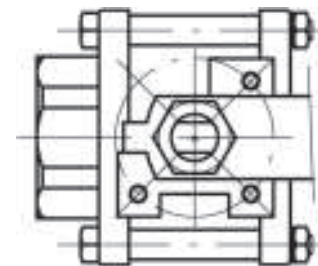
### MATERIALS LIST:

NO.	PARTS	S-331T/S/B	C-331T/S/B
1	BODY	ASTMA351-CF8M	ASTMA216-WCB
2	END CAP	ASTMA351-CF8M	ASTMA216-WCB
3	BALL	ASTMA351-CF8M/316	ASTMA351-CF8/304
4	SEAT	PTFE	PTFE
5	GASKET	PTFE	PTFE
6	THRUST WASHER	PTFE	PTFE
7	STEM PACKING	PTFE	PTFE
8	GLAND	AISI 304	AISI 304
9	STEM	ASTMA276-316	ASTMA276-304
10	HANDLE WASHER	AISI 304	AISI 304
11	HANDLE NUT	AISI 304	AISI 304
12	BOLT	AISI 304 / GR. B8	CARBON STEEL / GR. B7
13	BOLT WASHER	AISI 304	CARBON STEEL
14	NUT	AISI 304 / GR. 8	CARBON STEEL / GR. 2H
15	HANDLE	AISI 304	ZINC PLATED STEEL
16	HANDLE COVER	PVC	PVC
17	STOP SCREW	AISI 304	CARBON STEEL



### OPTIONS:

- L: LOCKING DEVICE.
- V: VENTED BALL.
- P: EQUIPPED WITH PNEUMATIC ACTUATOR.



FOR 2 1/2"~4"

### DIMENSIONS FOR S-331T/S/B & C-331T/S/B

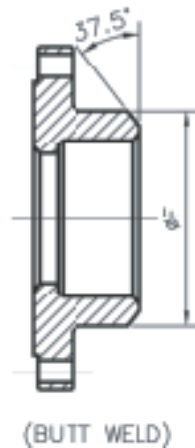
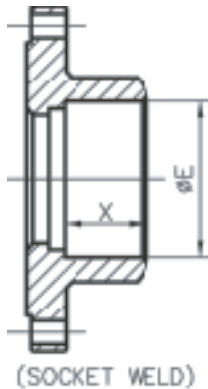
SIZE		φD		L		L1		I		φJ		K		φG		M	H		W	
in	mm	in	mm	in	mm	in	mm	in	mm	in	mm	in	mm	in	mm	mm	in	mm	in	mm
1/4"	8	0.43	11	2.56	65	2.56	65	0.20	5	0.31	8	0.37	9.5	1.42	36	M5	2.13	54	5.31	135
3/8"	10	0.49	12.5	2.56	65	2.56	65	0.20	5	0.31	8	0.37	9.5	1.42	36	M5	2.13	54	5.31	135
1/2"	15	0.59	15	2.76	70	2.80	71	0.20	5	0.31	8	0.47	12	1.42	36	M5	2.24	57	5.31	135
3/4"	20	0.79	20	3.15	80	3.23	82	0.24	6	0.39	10	0.54	13.7	1.42	36	M5	2.46	62.5	5.31	135
1"	25	1.00	25.4	3.54	90	3.62	92	0.31	8	0.47	12	0.70	17.7	1.65	42	M5	2.70	68.5	6.50	165
1 1/4"	32	1.26	32	4.13	105	4.33	110	0.31	8	0.47	12	0.70	17.7	1.65	42	M5	2.91	74	6.50	165
1 1/2"	40	1.50	38	4.72	120	5.00	127	0.31	8	0.55	14	0.71	18	1.97	50	M6	3.56	90.5	6.89	175
2"	50	1.97	50	5.28	134	5.91	150	0.31	8	0.55	14	0.71	18	1.97	50	M6	3.92	99.5	6.89	175
2 1/2"	65	2.56	65	6.50	165	7.20	183	0.47	12	0.79	20	1.14	29	2.76	70	M8	5.06	128.5	9.57	243
3"	80	3.15	80	7.28	185	8.27	210	0.47	12	0.79	20	1.14	29	2.76	70	M8	5.49	139.5	9.57	243
4"	100	3.94	100	9.09	231	10.43	265	0.63	16	0.98	25	1.22	31	4.02	102	M10	6.59	167.5	10.79	274

## 3-PIECE FULL PORT BALL VALVES

**FIG. S-331S / C-331S: WITH SOCKET WELD ENDS COMPLIED WITH ANSI B 16.11.**  
**FIG. S-331B / C-331B: WITH BUTT WELD ENDS COMPLIED WITH ANSI B 16.25.**

### FEATURES:

- Three-piece design for fast, economical in-line maintenance.
- Adjustable packing gland.
- Bottom-loaded blow-out proof stem.
- Low operating torque to reduce automation costs.
- Mounting pad complied with ISO 5211 for ease and interchangeability of actuation.
- Basic design complied with ANSI B16.34 & EN 12516-1.
- Tested according to API 598.



### DIMENSIONS

SIZE		$\phi E$		X		$\phi F$	
in	mm	in	mm	in	mm	in	mm
1/4"	8	0.555	14.2	0.39	10	0.57	14.6
3/8"	10	0.690	17.6	0.39	10	0.72	18.3
1/2"	15	0.855	21.8	0.51	13	0.88	22.4
3/4"	20	1.065	27.2	0.59	15	1.09	27.8
1"	25	1.330	33.9	0.59	15	1.37	34.7
1 1/4"	32	1.675	42.7	0.59	15	1.70	43.3
1 1/2"	40	1.915	48.8	0.63	16	1.94	49.3
2"	50	2.406	61.2	0.67	17	2.42	61.4
2 1/2"	65	2.906	73.9	0.67	17	2.95	75
3"	80	3.535	89.8	0.67	17	3.54	90
4"	100	4.545	115.2	0.79	20	4.55	115.6

### MATERIALS LIST:

NO.	PARTS	S-331T/S/B	C-331T/S/B
1	BODY	ASTMA351-CF8M	ASTMA216-WCB
2	END CAP	ASTMA351-CF8M	ASTMA216-WCB
3	BALL	ASTMA351-CF8M/316	ASTMA351-CF8/304
4	SEAT	PTFE	PTFE
5	GASKET	PTFE	PTFE
6	THRUST WASHER	PTFE	PTFE
7	STEM PACKING	PTFE	PTFE
8	GLAND	AISI 304	AISI 304
9	STEM	ASTMA276-316	ASTMA276-304
10	HANDLE WASHER	AISI 304	AISI 304
11	HANDLE NUT	AISI 304	AISI 304
12	BOLT	AISI 304 / GR. B8	CARBON STEEL / GR. B7
13	BOLT WASHER	AISI 304	CARBON STEEL
14	NUT	AISI 304 / GR. 8	CARBON STEEL / GR. 2H
15	HANDLE	AISI 304	ZINC PLATED STEEL
16	HANDLE COVER	PVC	PVC
17	STOP SCREW	AISI 304	CARBON STEEL

### OPTIONS:

- L: LOCKING DEVICE.
- V: VENTED BALL.
- P: EQUIPPED WITH PNEUMATIC ACTUATOR.

