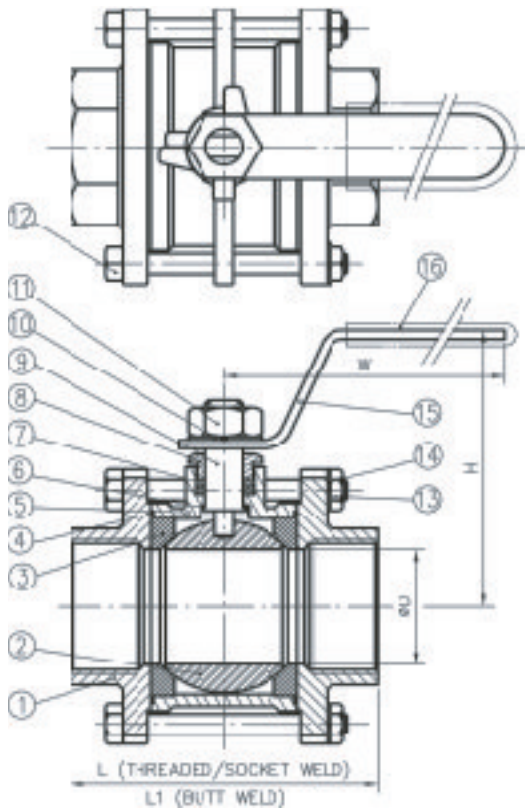


3-PIECE FULL PORT BALL VALVES

FIG. S-301T / C-301T: THREADED ENDS, 1000 PSI (69 BAR) W.O.G..

FEATURES:

- Three-piece design for fast, economical in-line maintenance.
- Adjustable packing gland. Bottom-loaded blow-out proof stem.
- Basic design complied with ANSI B16.34 & EN 12516-1.
- NPT threaded ends complied with ANSI B 1.20.1..
- Rc, Rp & G Threaded ends complied with BS 21/2779, JIS B-0203/0202, DIN 259/2999, ISO 228-1, AS1722.1/1722.2 are upon request.
- Socket weld ends complied with ANSI B 16.11 & butt weld ends complied with ANSI B 16.25 are upon request.
- Tested according to API 598.

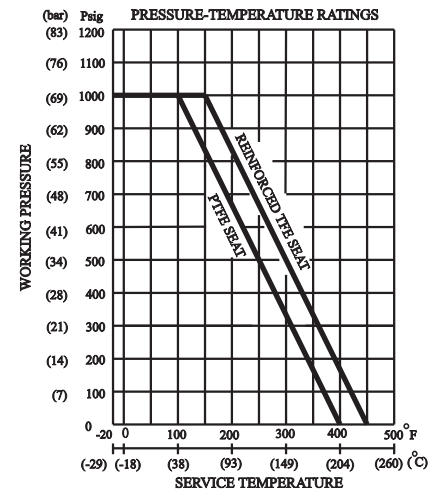
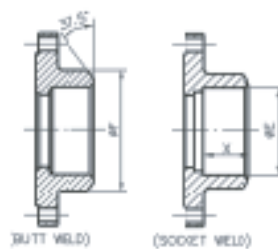


MATERIALS LIST:

NO.	PARTS	S-301T	C-301T
1	END CAP	ASTM A351-CF8M	ASTM A216-WCB
2	BALL	ASTM A351-CF8M/316	ASTM A351-CF8/304
3	SEAT	PTFE	PTFE
4	GASKET	PTFE	PTFE
5	BODY	ASTM A351-CF8M	ASTM A216-WCB
6	THRUST WASHER	PTFE	PTFE
7	STEM PACKING	PTFE	PTFE
8	GLAND	AISI 304	AISI 304
9	STEM	ASTM A276-316	ASTM A276-304
10	HANDLE WASHER	AISI 304	AISI 304
11	HANDLE NUT	AISI 304	AISI 304
12	BOLT	AISI 304 / GR. B8	CARBON STEEL / GR. B7
13	NUT	AISI 304 / GR. 8	CARBON STEEL / GR. 2H
14	BOLT WASHER	AISI 304	CARBON STEEL
15	HANDLE	AISI 304	ZINC PLATED STEEL
16	HANDLE COVER	PVC	PVC

OPTIONS:

- L: LOCKING DEVICE.
- V: VENTED BALL.
- FIG. S-301S/C-301S: WITH SOCKET WELD ENDS.
- FIG. S-301B/C-301B: WITH BUTT WELD ENDS.



DIMENSIONS

SIZE		φD		L		L1		φE		X		φF		H		W	
in	mm	in	mm	in	mm	in	mm	in	mm	in	mm	in	mm	in	mm	in	mm
1/4"	8	0.43	11	2.56	65	2.56	65	0.555	14.2	0.39	10	0.57	14.6	2.05	52	3.70	94
3/8"	10	0.49	12.5	2.56	65	2.56	65	0.690	17.6	0.39	10	0.72	18.3	2.05	52	3.70	94
1/2"	15	0.59	15	2.76	70	2.80	71	0.855	21.8	0.51	13	0.88	22.4	2.09	53	3.70	94
3/4"	20	0.79	20	3.15	80	3.23	82	1.065	27.2	0.59	15	1.09	27.8	2.22	56.5	3.70	94
1"	25	1.00	25.4	3.54	90	3.62	92	1.330	33.9	0.59	15	1.37	34.7	2.58	65.5	4.37	111
1 1/4"	32	1.26	32	4.13	105	4.33	110	1.675	42.7	0.59	15	1.70	43.3	2.80	71	4.37	111
1 1/2"	40	1.50	38	4.72	120	5.00	127	1.915	48.8	0.63	16	1.94	49.3	3.50	89	6.57	167
2"	50	1.97	50	5.28	134	5.91	150	2.406	61.2	0.67	17	2.42	61.4	3.84	97.5	6.57	167
2 1/2"	65	2.56	65	6.50	165	7.20	183	2.906	73.9	0.67	17	2.95	75	5.06	128.5	9.57	243
3"	80	3.15	80	7.28	185	8.27	210	3.535	89.8	0.67	17	3.54	90	5.47	139	9.57	243
4"	100	3.94	100	9.09	231	10.43	265	4.545	115.2	0.79	20	4.55	115.6	6.59	167.5	10.79	274

We reserve the rights to modify our product design or construction for improvement without prior notice.