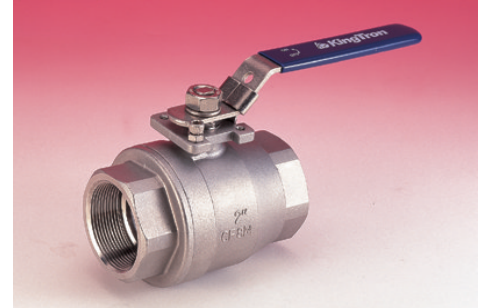


## 2-PIECE FULL PORT BALL VALVES

### FIG. S-232T-F / C-232T-F: 1/4" TO 4", API 607 FIRE-SAFE DESIGNED.

#### FEATURES:

- Strengthened construction secures 2000 psi working pressure rating. Reinforced TFE seats increase durability. Adjustable packing gland.
- Bottom-loaded blow-out proof stem.
- Low operating torque to reduce automation costs.
- Mounting pad complied with ISO 5211 for ease and interchangeability of actuation.
- Basic design complied with ANSI B16.34 & EN 12516-1.
- NPT threaded ends complied with ANSI B 1.20.1..
- Rc, Rp & G Threaded ends complied with BS 21/2779, JIS B-0203/0202, DIN 259/2999, ISO 228-1, AS1722.1/1722.2 are upon request.
- Graphite gasket & stem packing prevent post-fire external leakage.
- Post-fire metal-to-metal seal prevents internal leakage after fire.
- Tested according to API 598.

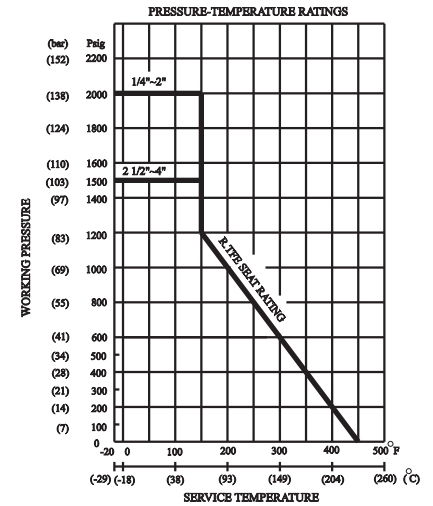
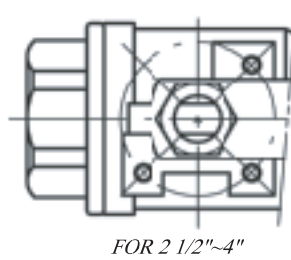
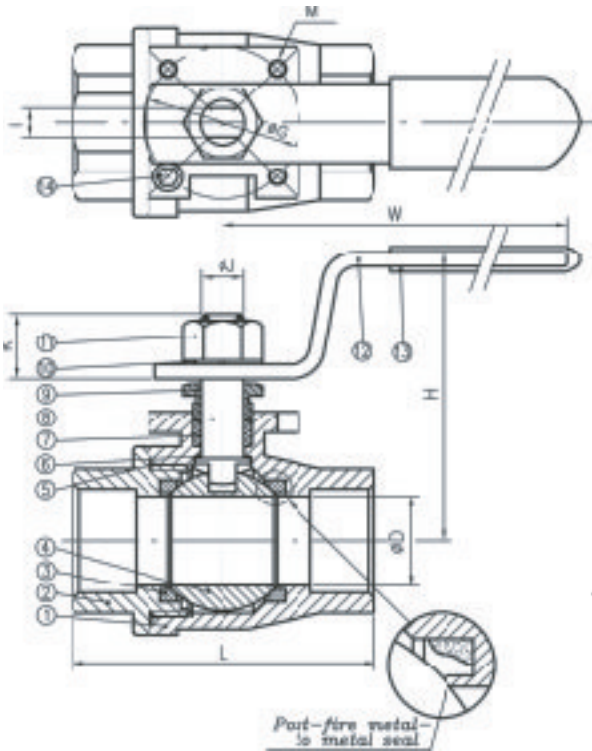


#### MATERIALS LIST:

NO.	PARTS	S-232T-F	C-232T-F
1	BODY	ASTMA351-CF8M	ASTMA216-WCB
2	END CAP	ASTMA351-CF8M	ASTMA216-WCB
3	SEAT	REINFORCED TFE	REINFORCED TFE
4	BALL	ASTMA351-CF8M/316	ASTMA351-CF8/304
5	GASKET	GRAPHITE	GRAPHITE
6	THRUST WASHER	PTFE	PTFE
7	STEM PACKING	GRAPHITE	GRAPHITE
8	STEM	ASTMA276-316	ASTMA276-304
9	GLAND	AISI 304	AISI 304
10	HANDLE WASHER	AISI 304	AISI 304
11	HANDLE NUT	AISI 304	AISI 304
12	HANDLE	AISI 304	ZINC PLATED STEEL
13	HANDLE COVER	PVC	PVC
14	STOP SCREW	AISI 304	CARBON STEEL

#### OPTIONS:

- L: LOCKING DEVICE.
- V: VENTED BALL.
- P: EQUIPPED WITH PNEUMATIC ACTUATOR.
- W: BODY JOINT FULLY WELDED.



#### DIMENSIONS

SIZE	φD		L		I		φJ		K		φG		H		W		M	
in	mm	in	mm	in	mm	in	mm	in	mm	in	mm	in	mm	in	mm	in	mm	
1/4"	8	0.43	11	2.32	59	0.20	5	0.31	8	0.35	9	1.42	36	2.17	55	5.31	135	M5
3/8"	10	0.49	12.5	2.32	59	0.20	5	0.31	8	0.35	9	1.42	36	2.17	55	5.31	135	M5
1/2"	15	0.59	15	2.54	64.5	0.20	5	0.31	8	0.45	11.5	1.42	36	2.24	57	5.31	135	M5
3/4"	20	0.79	20	2.87	73	0.24	6	0.39	10	0.59	15	1.42	36	2.46	62.5	5.31	135	M5
1"	25	1.00	25.4	3.37	85.5	0.31	8	0.47	12	0.63	16	1.65	42	2.70	68.5	6.50	165	M5
1 1/4"	32	1.26	32	3.94	100	0.31	8	0.47	12	0.71	18	1.65	42	2.91	74	6.50	165	M5
1 1/2"	40	1.50	38	4.53	115	0.31	8	0.55	14	0.79	20	1.97	50	3.56	90.5	6.89	175	M6
2"	50	1.97	50	5.28	134	0.31	8	0.55	14	0.79	20	1.97	50	3.92	99.5	6.89	175	M6
2 1/2"	65	2.56	65	6.54	166	0.47	12	0.79	20	1.14	29	2.76	70	5.06	128.5	9.57	243	M8
3"	80	3.15	80	7.44	189	0.47	12	0.79	20	1.14	29	2.76	70	5.49	139.5	9.57	243	M8
4"	100	3.94	100	9.09	231	0.63	16	0.98	25	1.22	31	4.02	102	6.59	167.5	10.79	274	M10