

2-PIECE FULL PORT BALL VALVES

FIG. S-232T / C-232T: THREADED ENDS, 1/4" TO 2": 2000 PSI (138 BAR) W.O.G., 2 1/2" TO 4": 1500 PSI (103 BAR) W.O.G., ISO 5211 MOUNTING PAD.

FEATURES:

- Strengthened construction secures 2000 psi working pressure rating. Reinforced TFE seats increase durability.
- Adjustable packing gland.
- Bottom-loaded blow-out proof stem.
- Low operating torque to reduce automation costs.
- Mounting pad complied with ISO 5211 for ease and interchangeability of actuation.
- Basic design complied with ANSI B16.34 & EN 12516-1.
- NPT threaded ends complied with ANSI B 1.20.1..
- Rc, Rp & G Threaded ends complied with BS 21/2779, JIS B-0203/0202, DIN 259/2999, ISO 228-1, AS1722.1/1722.2 are upon request.
- Tested according to API 598.

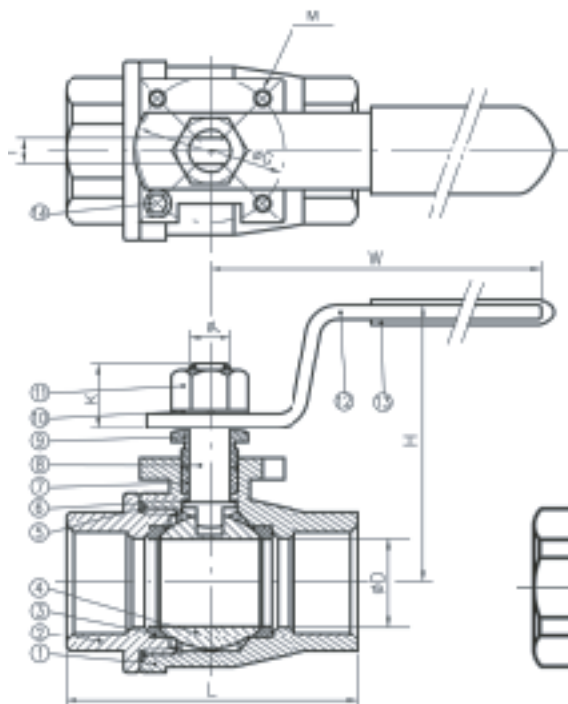


MATERIALS LIST:

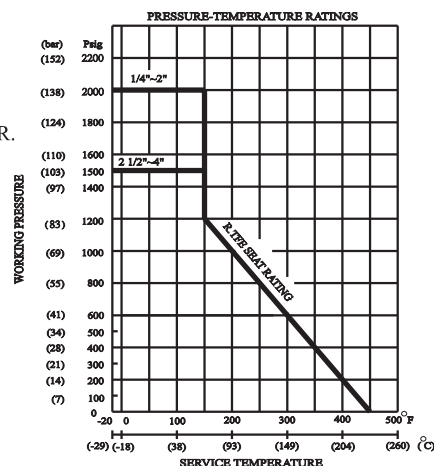
NO.	PARTS	S-232T	C-232T
1	BODY	ASTMA351-CF8M	ASTMA216-WCB
2	END CAP	ASTMA351-CF8M	ASTMA216-WCB
3	SEAT	REINFORCED TFE	REINFORCED TFE
4	BALL	ASTMA351-CF8M/316	ASTMA351-CF8/304
5	GASKET	PTFE	PTFE
6	THRUST WASHER	PTFE	PTFE
7	STEM PACKING	PTFE	PTFE
8	STEM	ASTMA276-316	ASTMA276-304
9	GLAND	AISI 304	AISI 304
10	HANDLE WASHER	AISI 304	AISI 304
11	HANDLE NUT	AISI 304	AISI 304
12	HANDLE	AISI 304	ZINC PLATED STEEL
13	HANDLE COVER	PVC	PVC
14	STOP SCREW	AISI 304	CARBON STEEL

OPTIONS:

- L: LOCKING DEVICE.
- V: VENTED BALL.
- F: FIRE-SAFE DESIGN.
- P: EQUIPPED WITH PNEUMATIC ACTUATOR.
- W: BODY JOINT FULLY WELDED.



FOR 2 1/2"~4"



DIMENSIONS

SIZE		φD		L		I		φJ		K		φG		H		W		M
in	mm	in	mm	in	mm	in	mm	in	mm	in	mm	in	mm	in	mm	in	mm	mm
1/4"	8	0.43	11	2.32	59	0.20	5	0.31	8	0.35	9	1.42	36	2.17	55	5.31	135	M5
3/8"	10	0.49	12.5	2.32	59	0.20	5	0.31	8	0.35	9	1.42	36	2.17	55	5.31	135	M5
1/2"	15	0.59	15	2.54	64.5	0.20	5	0.31	8	0.45	11.5	1.42	36	2.24	57	5.31	135	M5
3/4"	20	0.79	20	2.87	73	0.24	6	0.39	10	0.59	15	1.42	36	2.46	62.5	5.31	135	M5
1"	25	1.00	25.4	3.37	85.5	0.31	8	0.47	12	0.63	16	1.65	42	2.70	68.5	6.50	165	M5
1 1/4"	32	1.26	32	3.94	100	0.31	8	0.47	12	0.71	18	1.65	42	2.91	74	6.50	165	M5
1 1/2"	40	1.50	38	4.53	115	0.31	8	0.55	14	0.79	20	1.97	50	3.56	90.5	6.89	175	M6
2"	50	1.97	50	5.28	134	0.31	8	0.55	14	0.79	20	1.97	50	3.92	99.5	6.89	175	M6
2 1/2"	65	2.56	65	6.54	166	0.47	12	0.79	20	1.14	29	2.76	70	5.06	128.5	9.57	243	M8
3"	80	3.15	80	7.44	189	0.47	12	0.79	20	1.14	29	2.76	70	5.49	139.5	9.57	243	M8
4"	100	3.94	100	9.09	231	0.63	16	0.98	25	1.22	31	4.02	102	6.59	167.5	10.79	274	M10