

1-PIECE REDUCED PORT BALL VALVES

FIG. S-121T / C-121T: THREADED ENDS, 1000 PSI (69 BAR) W.O.G..

FEATURES:

- Bottom-loaded blow-out proof stem.
- Belleville washer assures leak-free seal on cool-down and as packing wears.
- Basic design complied with ANSI B16.34 & EN 12516-1.
- NPT threaded ends complied with ANSI B 1.20.1..
- Rc, Rp & G Threaded ends complied with BS 21/2779, JIS B-0203/0202, DIN 259/2999, ISO 228-1, AS1722.1/1722.2 are upon request.
- Tested according to API 598.

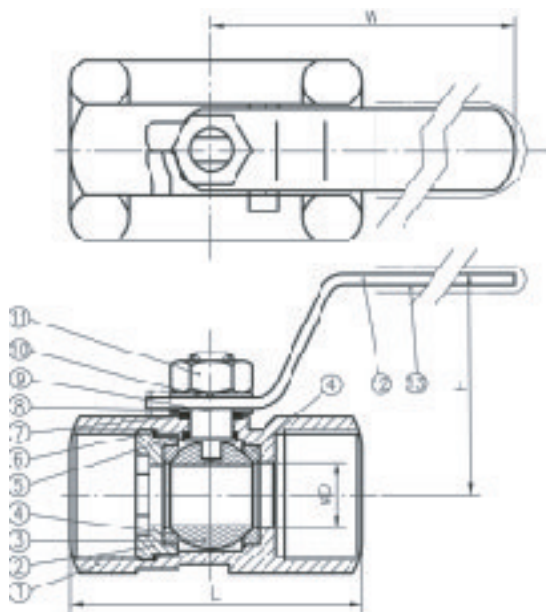


MATERIALS LIST:

NO.	PARTS	S-121T	C-121T
1	BODY	ASTMA351-CF8M	ASTMA216-WCB
2	RETAINER	ASTMA351-CF8M/316	ASTMA216-WCB/A108
3	BALL	ASTMA351-CF8M/316	ASTMA351-CF8/304
4	SEAT	PTFE	PTFE
5	THRUST WASHER	PTFE	PTFE
6	GASKET	PTFE	PTFE
7	STEM PACKING	PTFE	PTFE
8	BELLEVILLE WASHER	AISI 301	AISI 301
9	STEM	ASTMA276-316	ASTMA276-304
10	HANDLE WASHER	AISI 304	AISI 304
11	HANDLE NUT	AISI 304	AISI 304
12	HANDLE	AISI 304	ZINC PLATED STEEL
13	HANDLE COVER	PVC	PVC

OPTIONS:

- L: LOCKING DEVICE.
- V: VENTED BALL.



DIMENSIONS

SIZE		φD		L		H		W	
in	mm	in	mm	in	mm	in	mm	in	mm
1/4"	8	0.20	5	1.54	39	1.30	33	2.68	68
3/8"	10	0.28	7	1.73	44	1.38	35	3.11	79
1/2"	15	0.36	9.2	2.20	56	1.65	42	3.54	90
3/4"	20	0.49	12.5	2.32	59	1.81	46	3.54	90
1"	25	0.63	16	2.80	71	1.97	50	4.09	104
1 1/4"	32	0.79	20	3.03	77	2.20	56	4.09	104
1 1/2"	40	0.98	25	3.27	83	2.60	66	4.96	126
2"	50	1.26	32	3.94	100	2.83	72	4.96	126

