

1-PIECE REDUCED PORT BALL VALVES

FIG. S-122T / C-122T: THREADED ENDS, 2000 PSI (138 BAR) W.O.G..

FEATURES:

- Strengthened construction secures 2000 psi working pressure rating. Reinforced TFE seats increase durability.
- Separating packing nut and handle nut secures NO STEM LEAKAGE even when handle is removed.
- Belleville washer assures leak-free seal on cool-down and as packing wears.
- Bottom-loaded blow-out proof stem.
- Basic design complied with ANSI B16.34 & EN 12516-1.
- NPT threaded ends complied with ANSI B 1.20.1..
- Rc, Rp & G Threaded ends complied with BS 21/2779, JIS B-0203/0202, DIN 259/2999, ISO 228-1, AS1722.1/1722.2 are upon request.
- Tested according to API 598.

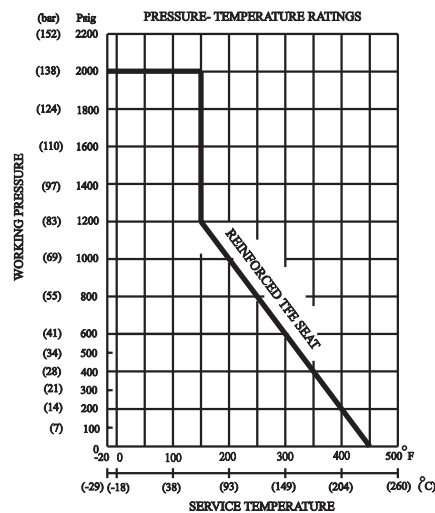
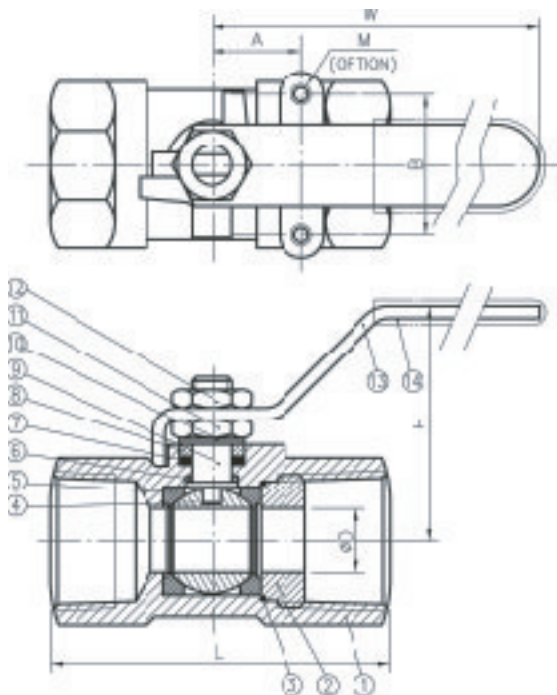


MATERIALS LIST:

NO.	PARTS	S-122T	C-122T
1	BODY	ASTMA351-CF8M	ASTMA216-WCB
2	RETAINER NUT	ASTMA351-CF8M/316	ASTMA216-WCB/A108
3	GASKET	PTFE	PTFE
4	BALL	ASTMA351-CF8M/316	ASTMA351-CF8/304
5	SEAT	REINFORCED TFE	REINFORCED TFE
6	THRUST WASHER	PTFE	PTFE
7	STEM PACKING	PTFE	PTFE
8	GLAND	AISI 304	AISI 304
9	STEM	ASTMA276-316	ASTMA276-304
10	BELLEVILLE WASHER	AISI 301	AISI 301
11	PACKING NUT	AISI 304	AISI 304
12	HANDLE NUT	AISI 304	ZINC PLATED STEEL
13	HANDLE	AISI 304	ZINC PLATED STEEL
14	HANDLE COVER	PVC	PVC

OPTIONS:

- F: FIRE-SAFE DESIGN.
- L: LOCKING DEVICE.
- M: TAPPED MOUNTING PAD.
- V: VENTED BALL.



DIMENSIONS

SIZE		φD		L		A		B		H		W		M
in	mm	in	mm	in	mm	in	mm	in	mm	in	mm	in	mm	(OPTION)
1/4"	8	0.20	5	2.32	59	0.50	12.7	1.12	28.5	1.73	44	4.37	111	10-24UNC
3/8"	10	0.28	7	2.32	59	0.50	12.7	1.12	28.5	1.73	44	4.37	111	10-24UNC
1/2"	15	0.36	9.2	2.64	67	0.50	12.7	1.12	28.5	1.73	44	4.37	111	10-24UNC
3/4"	20	0.49	12.5	2.80	71	0.50	12.7	1.12	28.5	1.89	48	4.37	111	10-24UNC
1"	25	0.63	16	3.35	85	0.87	22.1	1.37	34.8	2.36	60	5.55	141	10-24UNC
1 1/4"	32	0.79	20	3.70	94	0.87	22.1	1.37	34.8	2.56	65	5.55	141	10-24UNC
1 1/2"	40	0.98	25	3.94	100	0.93	23.6	1.50	38.1	2.80	71	6.34	161	1/4-20UNC
2"	50	1.26	32	4.65	118	0.93	23.6	1.50	38.1	3.03	77	6.34	161	1/4-20UNC