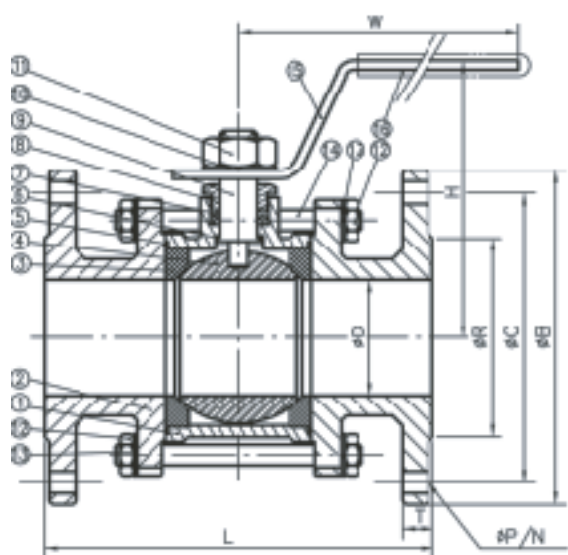


## 3-PIECE FULL PORT FLANGED BALL VALVES

### FIG. S-309F / C-309F: PN40 FLANGED ENDS.

#### FEATURES:

- Three-piece design with flanged ends for fast installation, in-line maintenance and rebuilding.
- Adjustable packing gland. Bottom-loaded blow-out proof stem.
- Investment cast body & cap.
- Basic design complied with ANSI B 16.34, DIN 3339, DIN 3357-1, DIN 3357-2, & EN 12516-1.
- Flanged ends complied with DIN 2501-1 & DIN 2545 PN 40.
- Face-to-face dimensions complied with DIN 3202-1.
- Tested according to DIN 3357-1, DIN 3230-3 (strength & leakage test), & API 598.

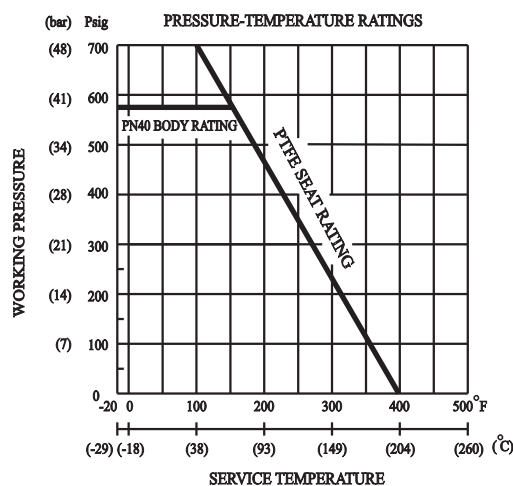
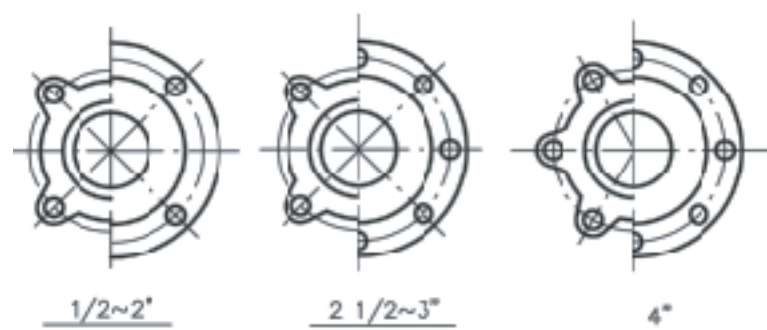


#### MATERIALS LIST:

NO.	PARTS	S-309F	C-309F
1	BODY	DIN 17445 1.4408/CF8M	DIN 17245 1.0619/WCB
2	END CAP	DIN 17445 1.4408/CF8M	DIN 17245 1.0619/WCB
3	SEAT	PTFE	PTFE
4	BALL	DIN 17445 1.4408/CF8M	DIN 17445 1.4308/CF8
5	GASKET	PTFE	PTFE
6	THRUST WASHER	PTFE	PTFE
7	STEM PACKING	PTFE	PTFE
8	GLAND	DIN 17440 1.4301/AISI 304	DIN 17440 1.4301/AISI 304
9	STEM	DIN 17440 1.4401/AISI 316	DIN 17440 1.4301/AISI 304
10	HANDLE WASHER	DIN 17440 1.4301/AISI 304	DIN 17440 1.4301/AISI 304
11	HANDLE NUT	DIN 17440 1.4301/AISI 304	DIN 17440 1.4301/AISI 304
12	BOLT NUT	DIN 17440 1.4301/GR.8	CARBON STEEL/GR. 2H
13	BOLT WASHER	DIN 17440 1.4301/AISI 304	CARBON STEEL
14	BOLT	DIN 17440 1.4301/GR. B8	CARBON STEEL/GR. G7
15	HANDLE	AISI 304	ZINC PLATED STEEL
16	HANDLE COVER	PVC	PVC

#### OPTIONS:

- L: LOCKING DEVICE.
- V: VENTED BALL.



#### DIMENSIONS

SIZE	ΦD		L		ΦR		ΦC		ΦB		ΦP		N	T		H		W		
in	mm	in	mm	in	mm	in	mm	in	mm	in	mm	in	mm	in	mm	in	mm	in	mm	
1/2"	15	0.59	15	5.12	130	1.77	45	2.56	65	3.74	95	0.55	14	4	0.63	16	3.03	77	5.43	138
3/4"	20	0.79	20	5.91	150	2.28	58	2.95	75	4.13	105	0.55	14	4	0.71	18	3.19	81	5.43	138
1"	25	1.00	25.4	6.30	160	2.68	68	3.35	85	4.53	115	0.55	14	4	0.71	18	3.50	89	6.77	172
1 1/4"	32	1.26	32	7.09	180	3.07	78	3.94	100	5.51	140	0.71	18	4	0.71	18	3.70	94	6.77	172
1 1/2"	40	1.50	38	7.87	200	3.46	88	4.33	110	5.91	150	0.71	18	4	0.71	18	5.00	127	9.17	233
2"	50	1.97	50	9.06	230	4.02	102	4.92	125	6.50	165	0.71	18	4	0.79	20	5.31	135	9.17	233
2 1/2"	65	2.56	65	11.42	290	4.80	122	5.71	145	7.28	185	0.71	18	8	0.87	22	6.38	162	11.10	282
3"	80	3.15	80	12.20	310	5.43	138	6.30	160	7.87	200	0.71	18	8	0.94	24	6.73	171	11.10	282
4"	100	3.94	100	13.78	350	6.38	162	7.48	190	9.25	235	0.87	22	8	0.94	24	7.80	198	11.61	295

We reserve the rights to modify our product design or construction for improvement without prior notice.