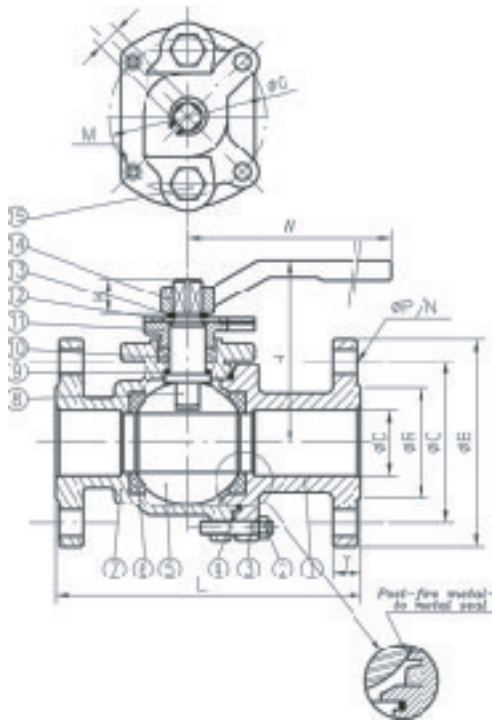


2-PIECE FULL PORT FLANGED BALL VALVES

FIG. S-235F-F / C-235F-F: API 607 FIRE-SAFE DESIGNED.

FEATURES:

- Split body design with flanged ends for fast installation, in-line maintenance and rebuilding. Solid ball construction provides structural integrity and minimizes flow turbulence.
- Body joint is designed to prevent excessive compression of valve internals, resulting in a consistent and low operating torque.
- Mounting pad complied with ISO 5211 for ease and interchangeability of actuation.
- Bottom-loaded blow-out proof stem.
- Investment cast body & cap on sizes 1/2" to 4". Sand cast body & cap on sizes 5" to 10".
- Basic design complied with ASME/ANSI B16.34.
- Flanged ends complied with ASME/ANSI B 16.5.
- Face-to-face dimensions complied with ASME/ANSI B 16.10.
- Graphite gasket & stem packing prevent post-fire external leakage.
- Post-fire metal-to-metal seal prevents internal leakage after fire. Tested according to ANSI B 16.34 & API 598.



MATERIALS LIST:

NO.	PARTS	S-235F-F	C-235F-F
1	END CAP	ASTMA351-CF8M	ASTMA216-WCB
2	NUT	AISI 304 / GR. 8	CARBON STEEL / GR. 2H
3	BODY JOINT BOLT	AISI 304 / GR. B8	CARBON STEEL / GR. B7
4	GASKET	GRAPHITE	GRAPHITE
5	BALL	ASTMA351-CF8M/316	ASTMA351-CF8 / 304
6	SEAT	PTFE	PTFE
7	BODY	ASTMA351-CF8M	ASTMA216-WCB
8	STEM	ASTMA276-316	ASTMA276-304
9	THRUST WASHER	PTFE	PTFE
10	STEM PACKING	GRAPHITE	GRAPHITE
11	GLAND	ASTMA351-CF8	ASTMA351-CF8
12	HANDLE STOPPER	AISI 304	AISI 304
13	SNAP RING	AISI 420	AISI 420
14	HANDLE	FCD 45	FCD 45
15	GLAND BOLT	AISI 304	AISI 304

OPTIONS:

- A: ANTI-STATIC DEVICE.
- V: VENTED BALL.
- G: EQUIPPED WITH GEAR OPERATOR.
- P: EQUIPPED WITH PENUMATIC ACTUATOR.

DIMENSIONS OF MOUNTING PAD

SIZE		I		K		φG		M
in	mm	in	mm	in	mm	in	mm	mm
1/2"	15	0.39	10	0.69	17.5	1.65	42	M5
3/4"	20	0.39	10	0.69	17.5	1.65	42	M5
1"	25	0.47	12	0.87	22	1.97	50	M6
1 1/2"	40	0.67	17	1.10	28	2.76	70	M8
2"	50	0.67	17	1.10	28	2.76	70	M8
2 1/2"	65	0.87	22	1.22	31	4.02	102	M10
3"	80	0.87	22	1.22	31	4.02	102	M10
4"	100	0.94	24	1.30	33	4.02	102	M10
5"	125	1.06	27	1.30	33	4.92	125	M12
6"	150	1.06	27	1.46	37	4.92	125	M12
8"	200	1.38	35	1.57	40	5.51	140	M16
10"	250	1.38	35	1.57	40	5.51	140	M16

