

3-WAY FULL PORT BALL VALVES

FIG. S-433T-T / C-433T-T: THREADED ENDS, T PORT, 1000 PSI(69 BAR) W.O.G., ISO 5211 MOUNTING PAD.

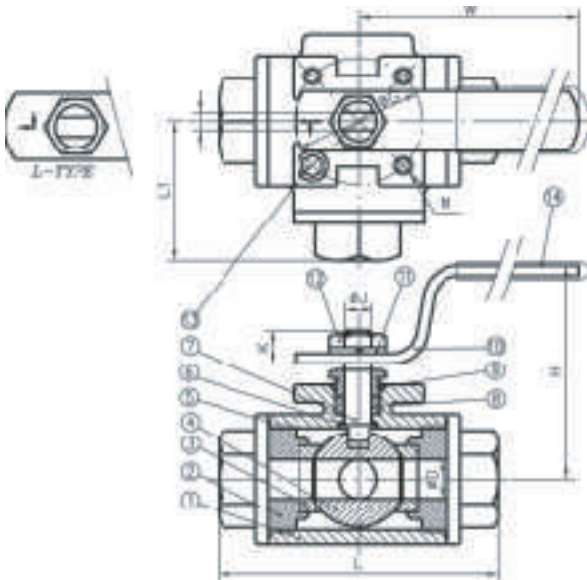
FEATURES:

- Full port design to avoid pressure drop.
- Adjustable packing gland. Bottom-loaded blow-out proof stem.
- Low operating torque to reduce automation costs.
- Mounting pad complied with ISO 5211 for ease and interchangeability of actuation.
- Basic design complied with ANSI B16.34 & EN 12516-1.
- NPT threaded ends complied with ANSI B 1.20.1..
- Rc, Rp & G Threaded ends complied with BS 21/2779, JIS B-0203/0202, DIN 259/2999, ISO 228-1, AS1722.1/1722.2 are upon request.
- Tested according to API 598.



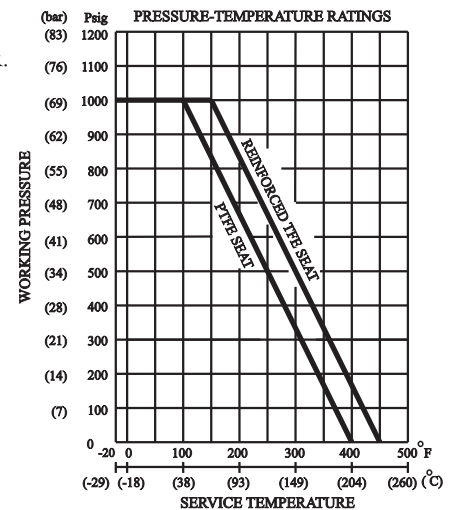
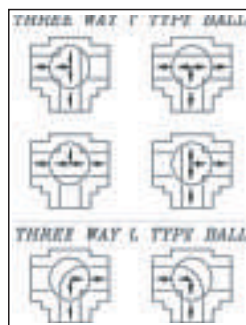
MATERIALS LIST:

| NO. | PARTS | S-433T-T | C-433T-T |
|-----|---------------|-------------------|-------------------|
| 1 | BODY | ASTMA351-CF8M | ASTM 216-WCB |
| 2 | END CAP | ASTMA351-CF8M | ASTM 216-WCB |
| 3 | SEAT | REINFORCED TFE | REINFORCED TFE |
| 4 | BALL | ASTMA351-CF8M/316 | ASTM A351-CF8/304 |
| 5 | GASKET | PTFE | PTFE |
| 6 | THRUST WASHER | PTFE | PTFE |
| 7 | STEM | ASTM A276-316 | ASTM A276-304 |
| 8 | STEM PACKING | PTFE | PTFE |
| 9 | GLAND | AISI 304 | AISI 304 |
| 10 | HANDLE | AISI 304 | ZINC PLATED STEEL |
| 11 | HANDLE WASHER | AISI 304 | AISI 304 |
| 12 | HANDLE NUT | AISI 304 | AISI 304 |
| 13 | STOP SCREW | AISI 304 | CARBON STEEL |
| 14 | HANDLE COVER | PVC | PVC |



OPTIONS:

- L: LOCKING DEVICE.
 - P: EQUIPPED WITH PNEUMATIC ACTUATOR.
- FIG. S-433T-L / C-433T-L:
WITH L-PORT.



DIMENSIONS

| SIZE | | φD | | L | | L1 | | I | | φJ | | K | | φG | | M | H | | W | |
|--------|----|------|------|------|-----|------|------|------|----|------|------|------|------|------|----|----|------|-----|------|-----|
| in | mm | in | mm | in | mm | in | mm | in | mm | in | mm | in | mm | in | mm | mm | in | mm | in | mm |
| 1/4" | 8 | 0.43 | 11 | 3.07 | 78 | 1.54 | 39 | 0.20 | 5 | 0.31 | 8 | 0.49 | 12.5 | 1.42 | 36 | M5 | 2.40 | 61 | 5.31 | 135 |
| 3/8" | 10 | 0.47 | 12 | 3.07 | 78 | 1.54 | 39 | 0.20 | 5 | 0.31 | 8 | 0.49 | 12.5 | 1.42 | 36 | M5 | 2.40 | 61 | 5.31 | 135 |
| 1/2" | 15 | 0.59 | 15 | 2.95 | 75 | 1.48 | 37.5 | 0.24 | 6 | 0.39 | 10 | 0.53 | 13.5 | 1.42 | 36 | M5 | 2.72 | 69 | 5.31 | 135 |
| 3/4" | 20 | 0.79 | 20 | 3.39 | 86 | 1.69 | 43 | 0.24 | 6 | 0.39 | 10 | 0.53 | 13.5 | 1.42 | 36 | M5 | 2.72 | 69 | 5.31 | 135 |
| 1" | 25 | 1.00 | 25.4 | 4.33 | 110 | 2.17 | 55 | 0.31 | 8 | 0.47 | 12 | 0.71 | 18 | 1.65 | 42 | M5 | 3.23 | 82 | 6.50 | 165 |
| 1 1/2" | 40 | 1.50 | 38 | 5.39 | 137 | 2.70 | 68.5 | 0.31 | 8 | 0.57 | 14.5 | 0.71 | 18 | 1.97 | 50 | M6 | 3.43 | 87 | 6.89 | 175 |
| 2" | 50 | 1.97 | 50 | 6.14 | 156 | 3.07 | 78 | 0.47 | 12 | 0.75 | 19 | 1.04 | 26.5 | 2.76 | 70 | M8 | 5.28 | 134 | 9.57 | 243 |

We reserve the rights to modify our product design or construction for improvement without prior notice.