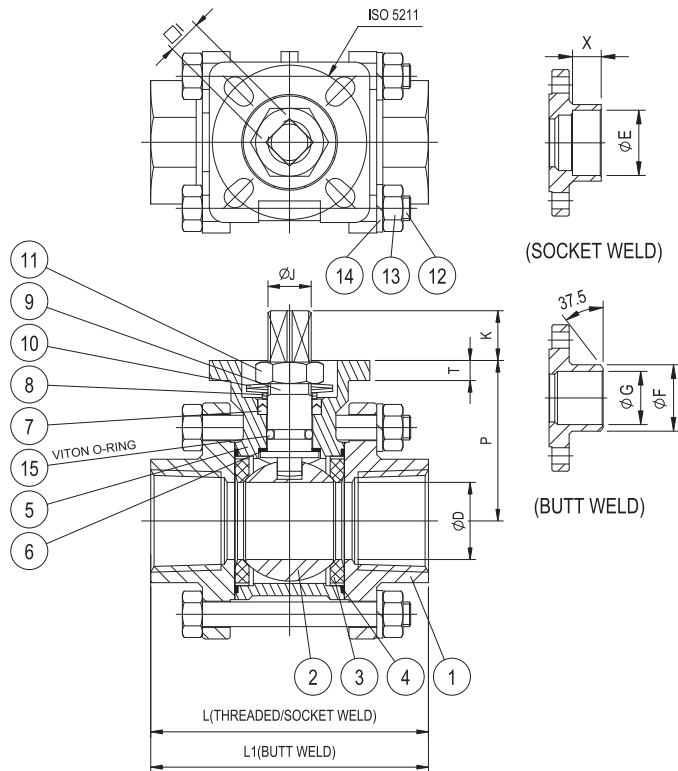


3-PIECE FULL PORT BALL VALVES

FIG. S-331T-D / C-331T-D: THREADED ENDS, 1000 PSI (69 BAR) W.O.G., ISO 5211 DIRECT ACTUATOR MOUNTING PAD, SQUARE STEM.

FEATURES:

- Actuator can be installed directly on the mounting pad without using bracket & coupling.
- Live-loaded packing gland design for self-adjustment of packing compression.
- Chevron V type packing to further ensure no leakage.
- Pressure equalizing seats.
- Bottom-loaded blow-out proof stem.
- Low operating torque to reduce automation costs.
- Basic design complied with ANSI B16.34 & EN12516-1.
- NPT threaded ends complied with ANSI B 1.20.1.
- Rc, Rp & G Threaded ends complied with BS 21/2779, JIS B-0203/0202, DIN 259/2999, ISO 228-1, AS1722.1/1722.2 are upon request.
- Socket weld ends complied with ANSI B16.11 & EN 12760, butt weld ends complied with ANSI B16.25 & EN 12627 are upon request.
- Tested according to API 598.



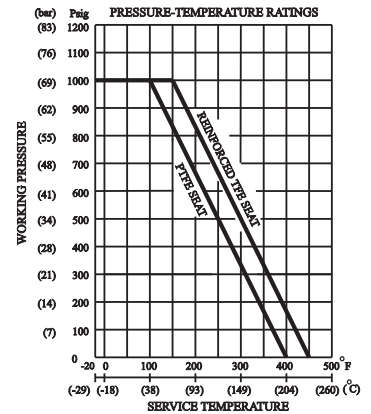
MATERIALS LIST:

NO.	PARTS	S-331T/S/B-D	C-331T/S/B-D
1	END CAP	ASTM A351-CF8M	ASTM A216-WCB
2	BALL	ASTM A351-CF8M/316	ASTM A351-CF8/304
3	SEAT	PTFE	PTFE
4	GASKET	PTFE	PTFE
5	BODY	ASTM A351-CF8M	ASTM A216-WCB
6	THRUST WASHER	PTFE	PTFE
7	STEM PACKING	PTFE	PTFE
8	GLAND	AISI 304	AISI 304
9	STEM	ASTM A276-316	ASTM A276-304
10	BELLEVILLE WASHER	AISI 301	AISI 301
11	PACKING NUT	AISI 304	AISI 304
12	BOLT	AISI 304/GR. B8	CARBON STEEL/GR. B7
13	BOLT NUT	AISI 304/GR. 8	CARBON STEEL/GR. 2H
14	BOLT WASHER	AISI 304	CARBON STEEL
15	O-RING	VITON	VITON

OPTIONS:

- H: EQUIPPED WITH LEVER HANDLE (WITHOUT LOCKING DEVICE).
- L: EQUIPPED WITH LOCKABLE LEVER HANDLE.
- A: ANTI-STATIC DEVICE.
- V: VENTED BALL.
- P: EQUIPPED WITH PNEUMATIC ACTUATOR.

FIG. S-331S-D/C-331S-D:
WITH SOCKET WELD ENDS.
FIG. S-331B-D/C-331B-D:
WITH BUTT WELD ENDS.



DIMENSIONS

SIZE		Ø D		Ø E		Ø F		Ø G		I		Ø J		K		L		L1		P		T		X		ISO 5211
in	mm	in	mm	in	mm	in	mm	in	mm	in	mm	in	mm	in	mm	in	mm	in	mm	in	mm	in	mm	in	mm	
1/4"	8	0.41	10.5	0.555	14.2	0.57	14.6	0.39	10	0.35	9	0.47	12	0.35	9	2.76	70	2.80	71	1.65	42	0.16	4	0.39	10	F03-F04
3/8"	10	0.49	12.5	0.690	17.6	0.72	18.3	0.53	13.5	0.35	9	0.47	12	0.35	9	2.76	70	2.80	71	1.65	42	0.16	4	0.39	10	F03-F04
1/2"	15	0.59	15	0.855	21.8	0.88	22.4	0.66	16.8	0.35	9	0.47	12	0.35	9	2.76	70	2.80	71	1.65	42	0.16	4	0.51	13	F03-F04
3/4"	20	0.79	20	1.065	27.2	1.09	27.8	0.87	22	0.35	9	0.47	12	0.35	9	3.15	80	3.23	82	1.77	45	0.16	4	0.59	15	F03-F04
1"	25	0.98	25	1.330	33.9	1.37	34.7	1.09	27.8	0.43	11	0.55	14	0.55	14	3.54	90	3.62	92	2.05	52	0.26	6.5	0.59	15	F04-F05
1 1/4"	32	1.26	32	1.675	42.7	1.70	43.3	1.42	36	0.43	11	0.55	14	0.55	14	4.13	105	4.33	110	2.30	58.5	0.26	6.5	0.59	15	F04-F05
1 1/2"	40	1.50	38	1.915	48.8	1.94	49.3	1.65	41.8	0.55	14	0.75	19	0.71	18	4.72	120	5.00	127	2.68	68	0.28	7	0.63	16	F05-F07
2"	50	1.97	50	2.406	61.2	2.42	61.4	2.11	53.5	0.55	14	0.75	19	0.71	18	5.51	140	6.14	156	3.13	79.5	0.30	7.5	0.67	17	F05-F07
2 1/2"	65	2.56	65	2.906	73.9	2.95	75	2.54	64.5	0.67	17	0.94	24	0.87	22	6.61	168	7.32	186	4.13	105	0.41	10.5	0.67	17	F07-F10
3"	80	3.15	80	3.535	89.8	3.54	90	3.10	78.8	0.67	17	0.94	24	0.87	22	7.60	193	8.58	218	4.57	116	0.41	10.5	0.67	17	F07-F10
4"	100	3.94	100	4.545	115.2	4.55	115.6	4.06	103	0.87	22	1.10	28	1.14	29	9.09	231	10.43	265	5.35	136	0.41	10.5	0.79	20	F10-F12