

1-PIECE REDUCED PORT BALL VALVES

FIG. A-122T : THREADED ENDS, 2000 PSI (138 BAR) W.O.G., BARSTOCK BODY.

FEATURES:

- Strengthened barstock construction secures 2000 psi working pressure rating. Reinforced TFE seats increase durability.
- NACE Trim complied with NACE MR-01-75.
- Separating packing nut and handle nut secure NO STEM LEAKAGE even when handle is removed.
- Bottom-loaded blow-out proof stem.
- Basic design complied with ANSI B16.34 & EN 12516-1.
- NPT threaded ends complied with ANSI B 1.20.1..
Rc, Rp & G Threaded ends complied with BS 21/2779, JIS B-0203/0202, DIN 259/2999, ISO 228-1, AS1722.1/1722.2 are upon request.
- Tested according to API 598.

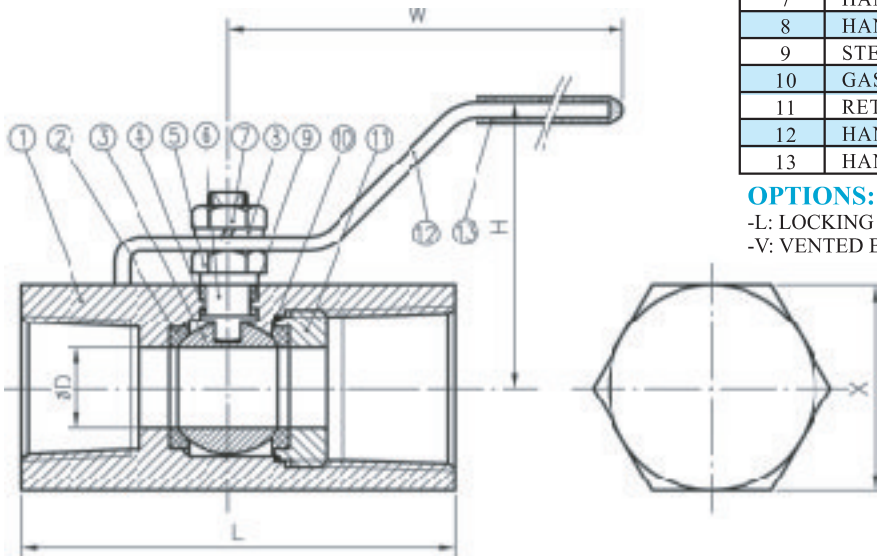


MATERIALS LIST:

NO.	PARTS	A-122T
1	BODY	ASTMA108-CARBON STEEL
2	SEAT	REINFORCED TFE
3	BALL	ASTMA351-CF8/304
4	THRUST WASHER	PTFE
5	PACKING NUT	AISI 304
6	STEM	ASTMA276-304
7	HANDLE NUT	ZINC PLATED STEEL
8	HANDLE WASHER	ZINC PLATED STEEL
9	STEM PACKING	PTFE
10	GASKET	PTFE
11	RETAINER	ASTMA108-CARBON STEEL
12	HANDLE	ZINC PLATED STEEL
13	HANDLE COVER	PVC

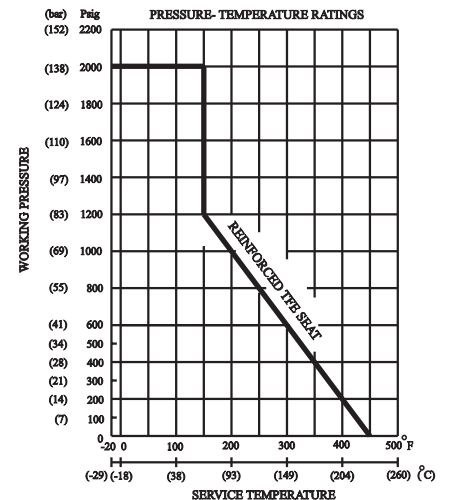
OPTIONS:

- L: LOCKING DEVICE.
- V: VENTED BALL.



DIMENSIONS

SIZE		φD		L		H		W		X	
in	mm	in	mm	in	mm	in	mm	in	mm	in	mm
1/4"	8	0.20	5	1.73	44	1.22	31	2.64	67	0.75	19
3/8"	10	0.28	7	1.89	48	1.30	33	3.15	80	0.83	21
1/2"	15	0.36	9.2	2.44	62	2.38	60.5	4.13	105	1.14	29
3/4"	20	0.49	12.5	2.76	70	2.50	63.5	4.13	105	1.38	35
1"	25	0.63	16	3.39	86	2.68	68	4.25	108	1.61	41
1 1/4"	32	0.79	20	3.70	94	2.99	76	5.51	140	2.24	57
1 1/2"	40	0.98	25	4.02	102	3.07	78	5.51	140	2.24	57
2"	50	1.26	32	4.49	114	3.31	84	7.09	180	2.87	73



We reserve the rights to modify our product design or construction for improvement without prior notice.